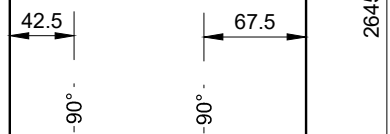
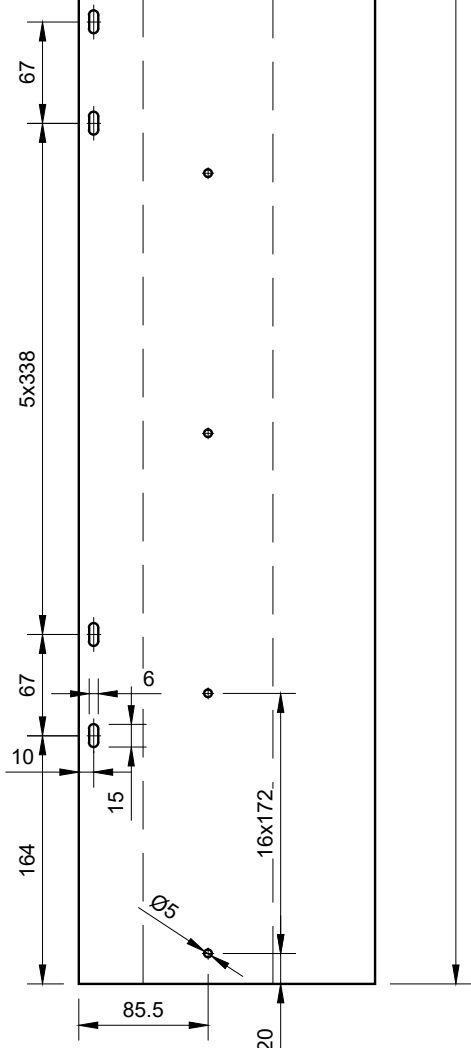
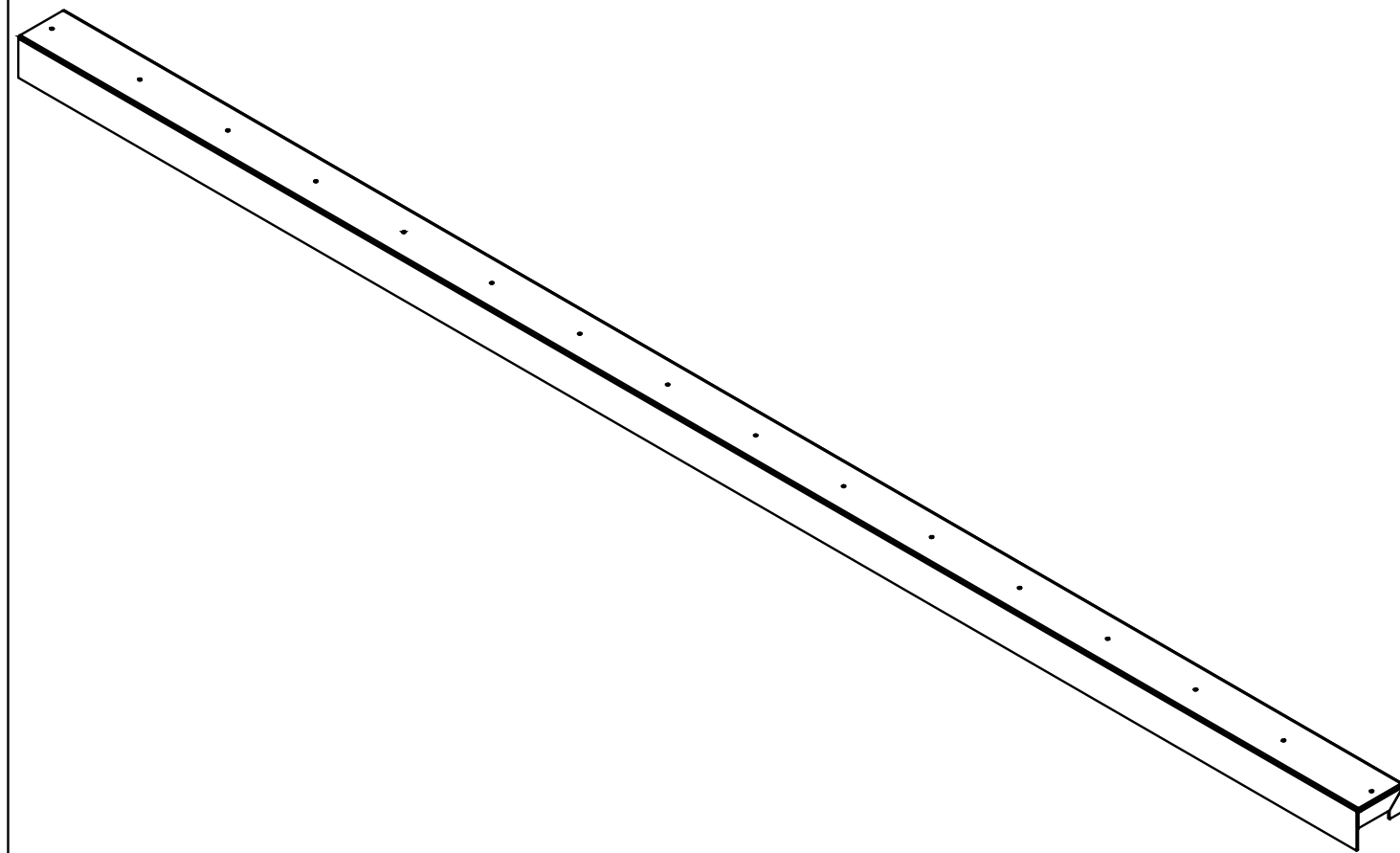


Soffit 1C
196/2645 mm
4.193 kg 0.516 m²



2620

Soffit 1C
196/2645 mm
4.193 kg 0.516 m²



Sheet metal Aluminum AlMg 3 mm
Unfold from table "AL", Bending radius R 1
— — — — — Fold downwards

Name	Material	Thickness	Length	Area	Width	Weight	Sum of Qty
Soffit 1C	AlMg	3.0	196.0	0.516	2645.0	4.193	1
Grand Total							1

A1	issue for approval	20.04.2019
Rev:	Description:	Date:

Project number:
SU-1594

Project:
Project name

Title:
Soffit 1C
General view and development

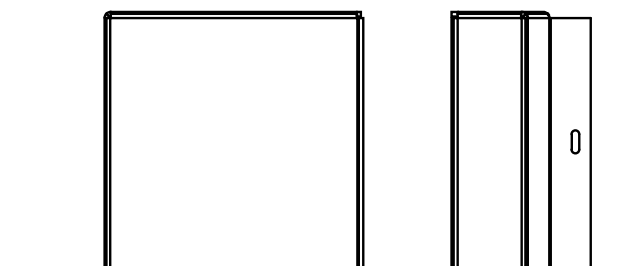
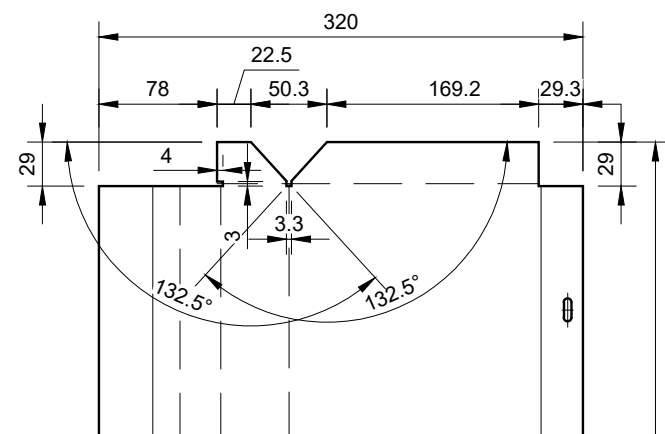
Dwg Status:
Manufacturing

Dwg No: MN-01-AL-01-018 Rev: A1

Date: 20.04.2019 Scale: -@A3

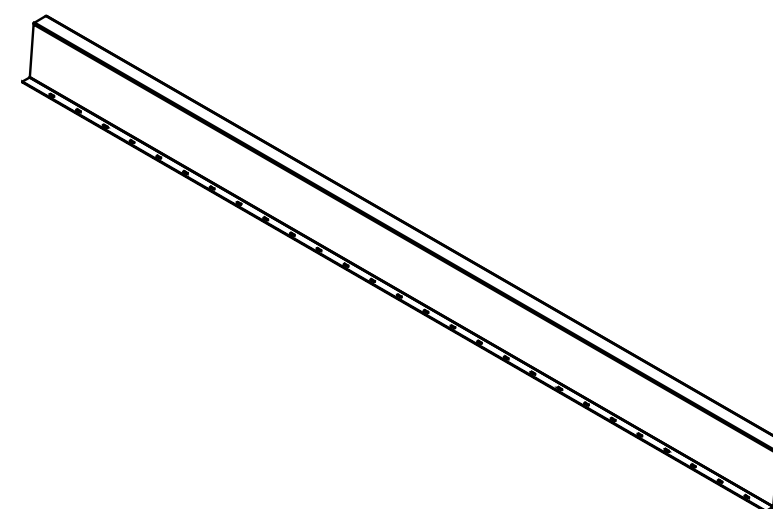
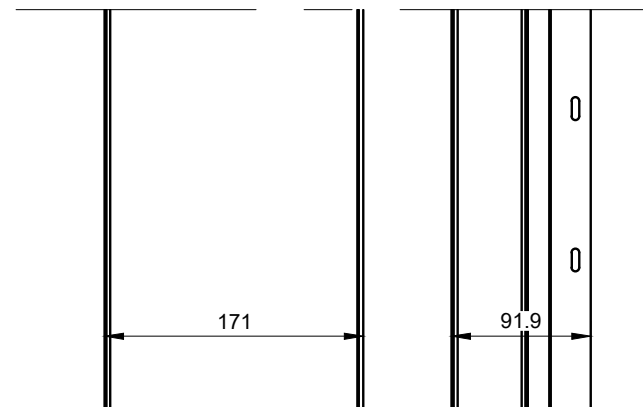
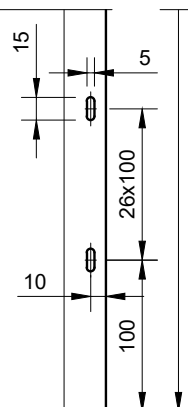
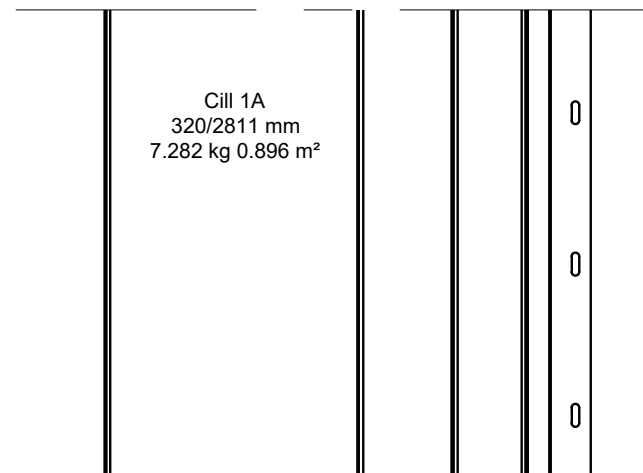
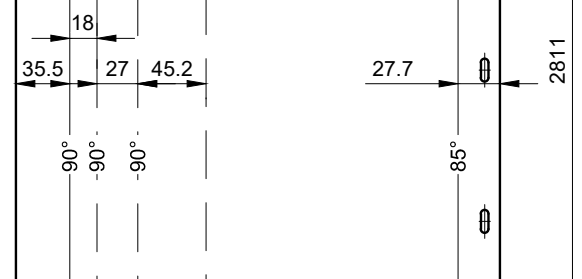
Drawn: RV Checked by: PS

SUVOROV DESIGN
Head office:
Vitebsk, Republic of Belarus
www.suvorov.design

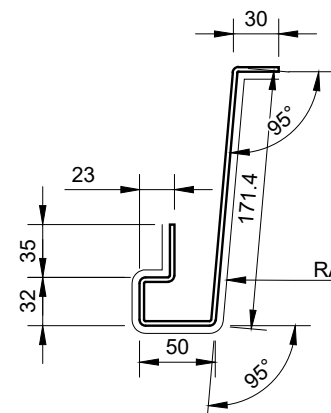


Cill 1A
320/2811 mm
7.282 kg 0.896 m²

Cill 1A
320/2811 mm
7.282 kg 0.896 m²



Sheet metal Aluminum AIMg 3 mm
Unfold from table "AL", Bending radius R 1
— Fold upwards
— Fold downwards



Name	Material	Thickness	Length	Area	Width	Weight	Sum of Qty
Cill 1A	AlMg	3.0	320.0	0.896	2811.0	7.282	1
Grand Total							1

A1	issue for approval	20.04.2019
Rev:	Description:	Date:

Project number:
SU-1594

Project:
Project name

Title:
**Cill 1A
General view and development**

Dwg Status:
Manufacturing

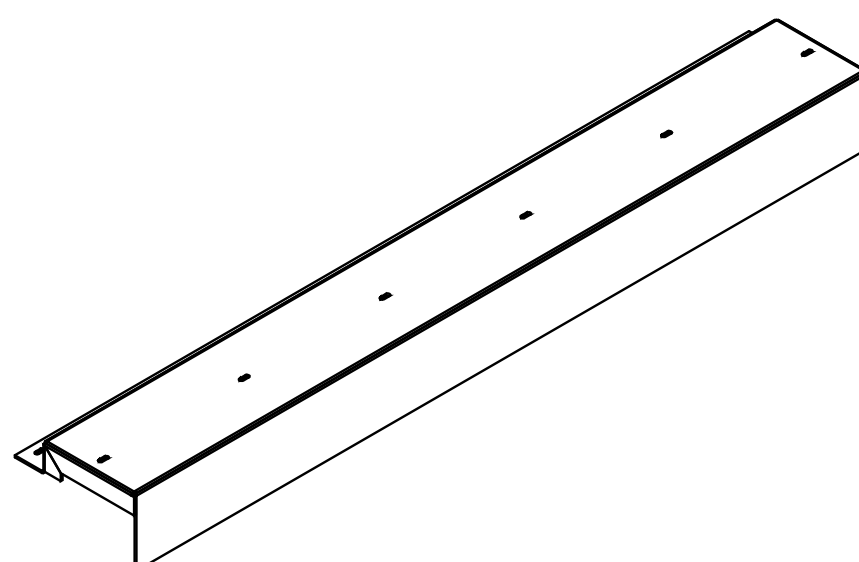
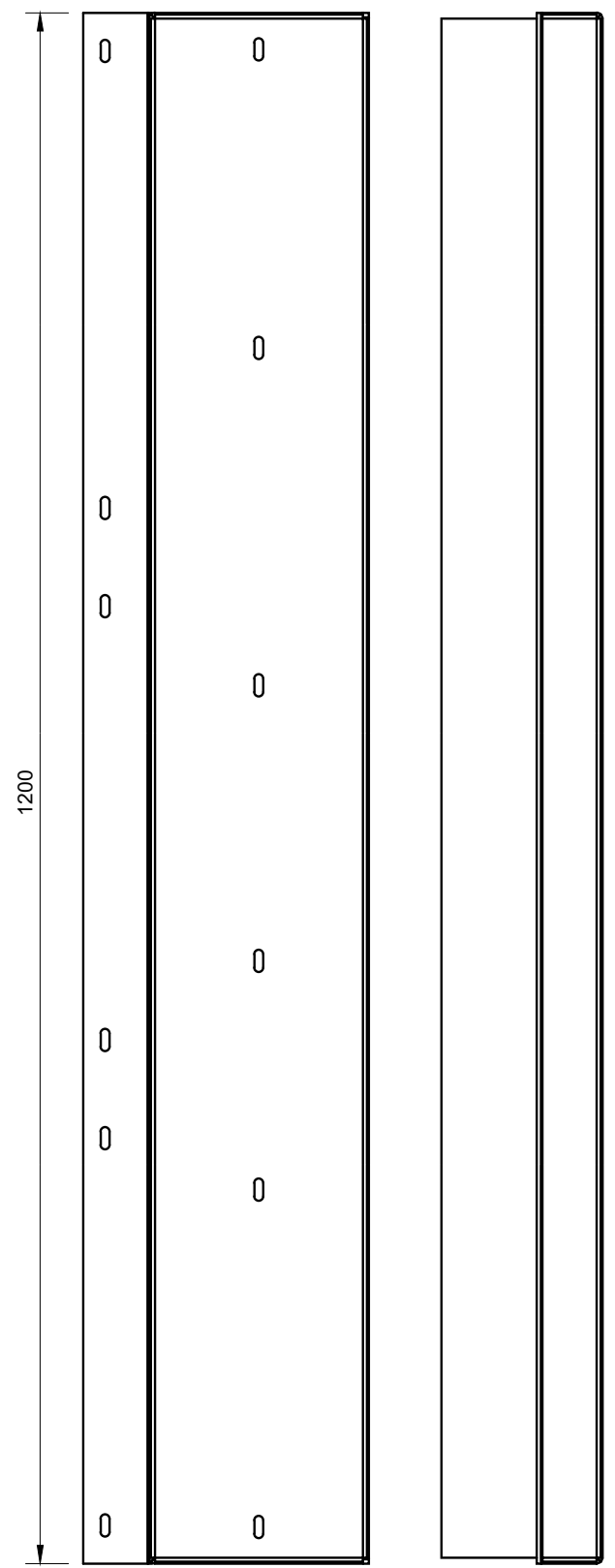
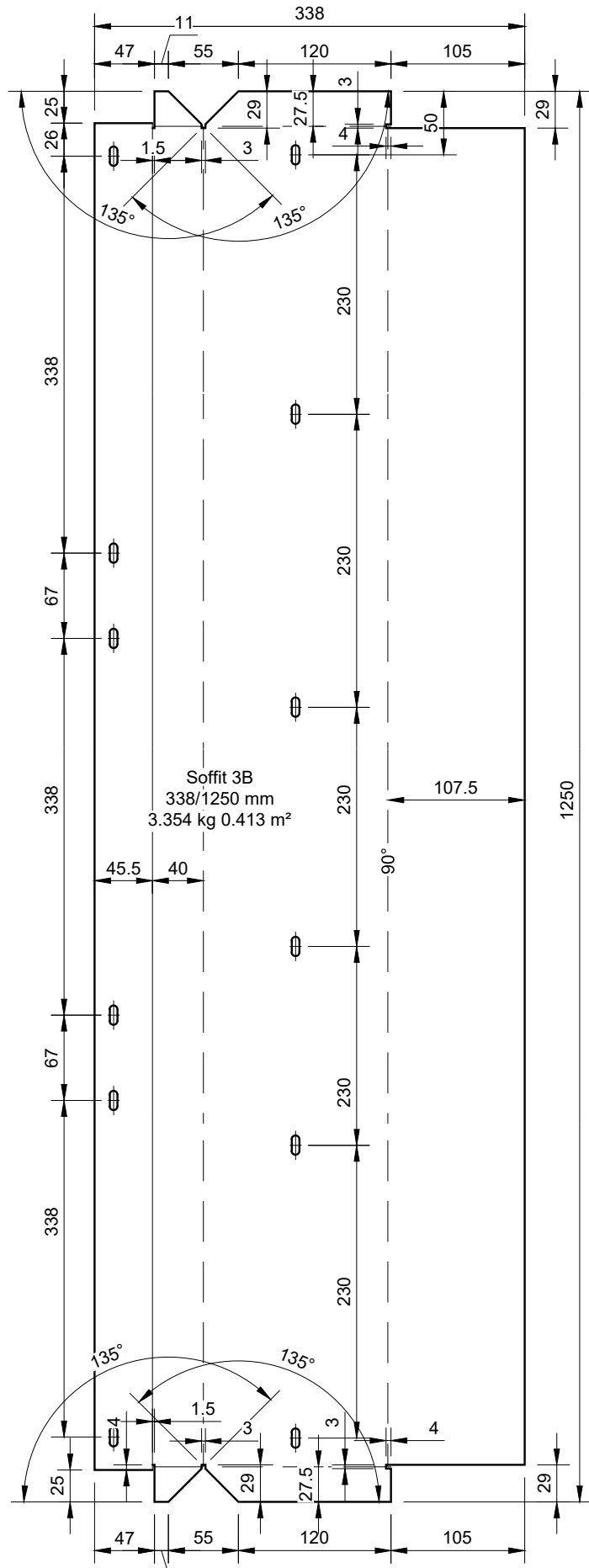
Dwg No: **MN-01-AL-01-021** Rev: **A1**

Date: **20.04.2019** Scale: **1:5@A3**

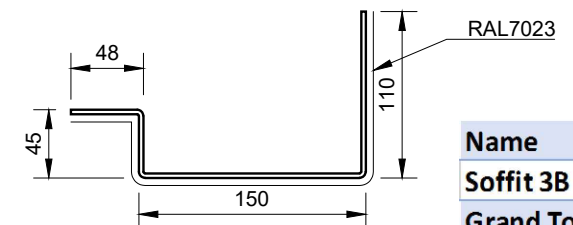
Drawn: **RV** Checked by: **PS**

	Head office:
	Vitebsk, Republic of Belarus
	www.suvorov.design

GENERAL SPECIFICATION:



Sheet metal Aluminum AlMg 3 mm
 Unfold from table "AL", Bending radius R 1
 - - - - - Fold upwards
 - - - - - Fold downwards

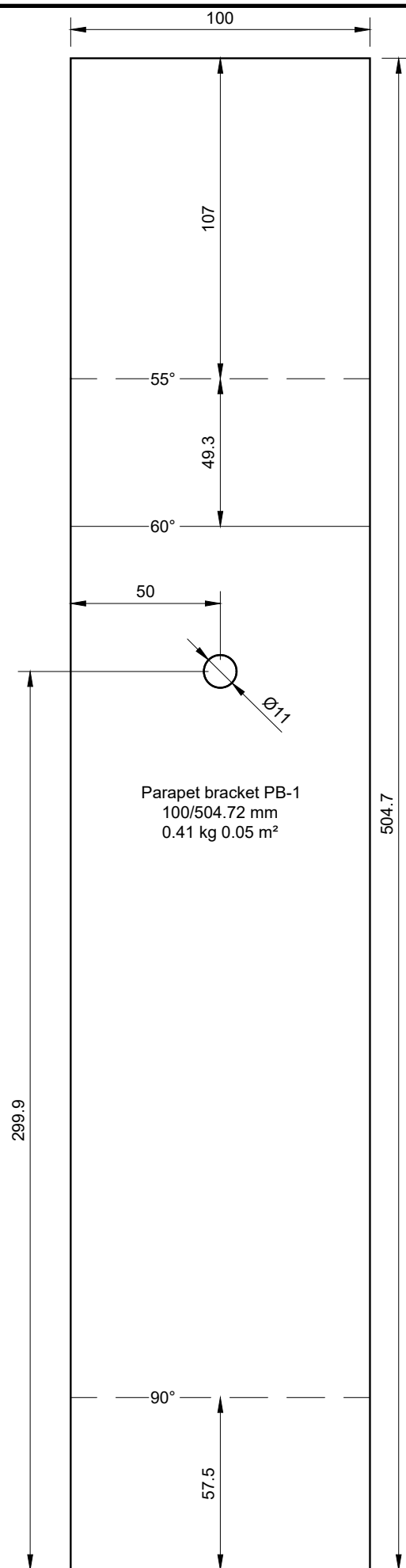


Name	Material	Thickness	Length	Area	Width	Weight	Sum of Qty
Soffit 3B	AlMg	3.0	338.0	0.413	1250.0	3.354	2
Grand Total							2

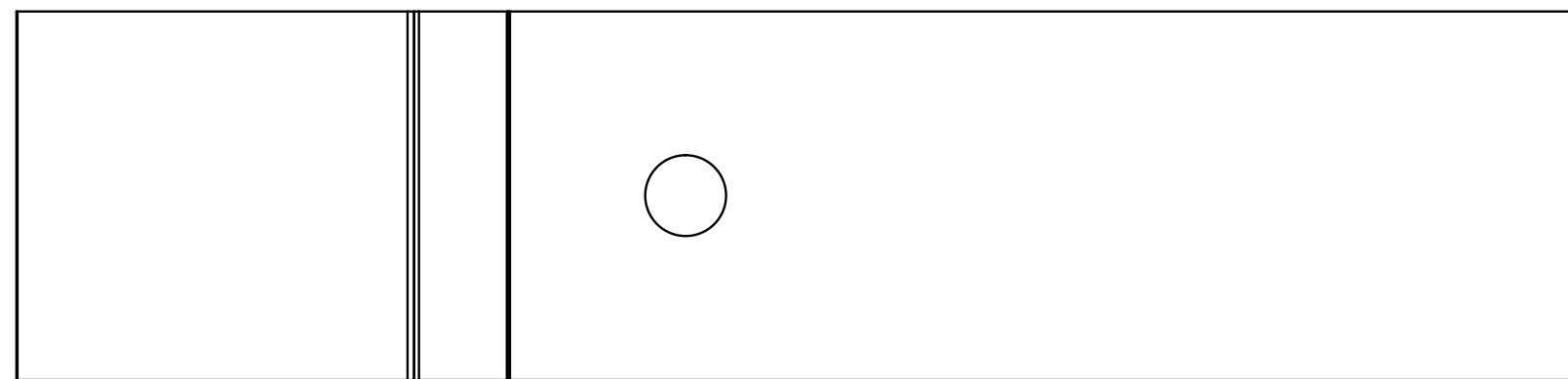
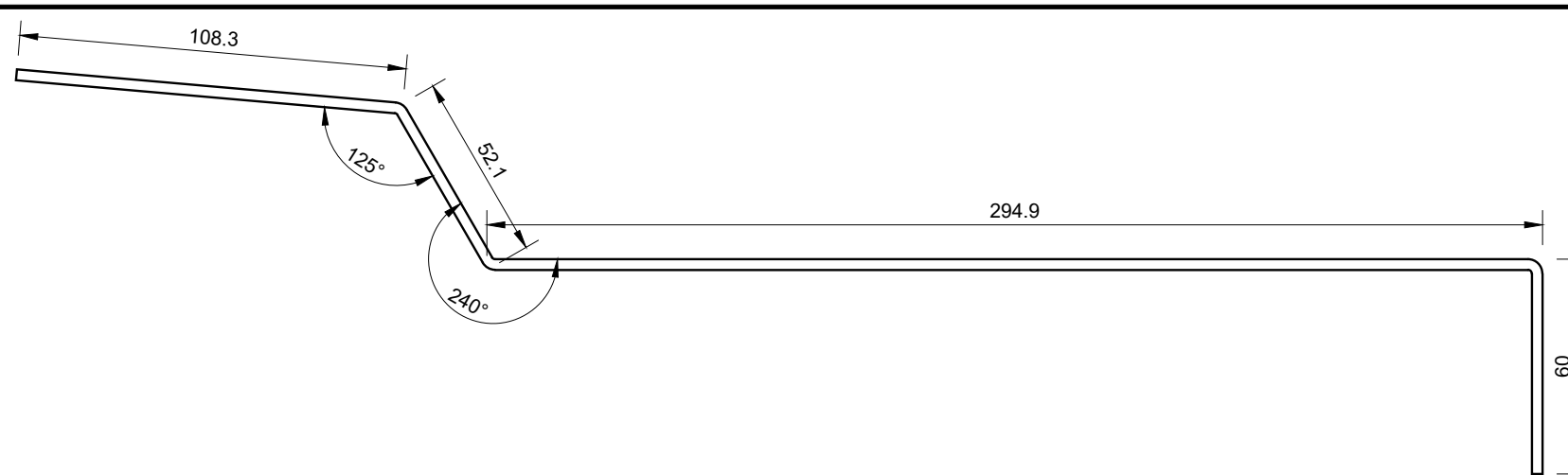
Rev:	issue for approval	Date:	20.04.2019
Project number:	SU-1594		
Project:	Project name		
Title:	Soffit 3B General view and development		
Dwg Status:	Manufacturing		
Dwg No:	MN-01-AL-01-032	Rev:	A1
Date:	20.04.2019	Scale:	1:5@A3
Drawn:	RV	Checked by:	PS


 Head office:
 Vitebsk, Republic of Belarus
www.suvorov.design

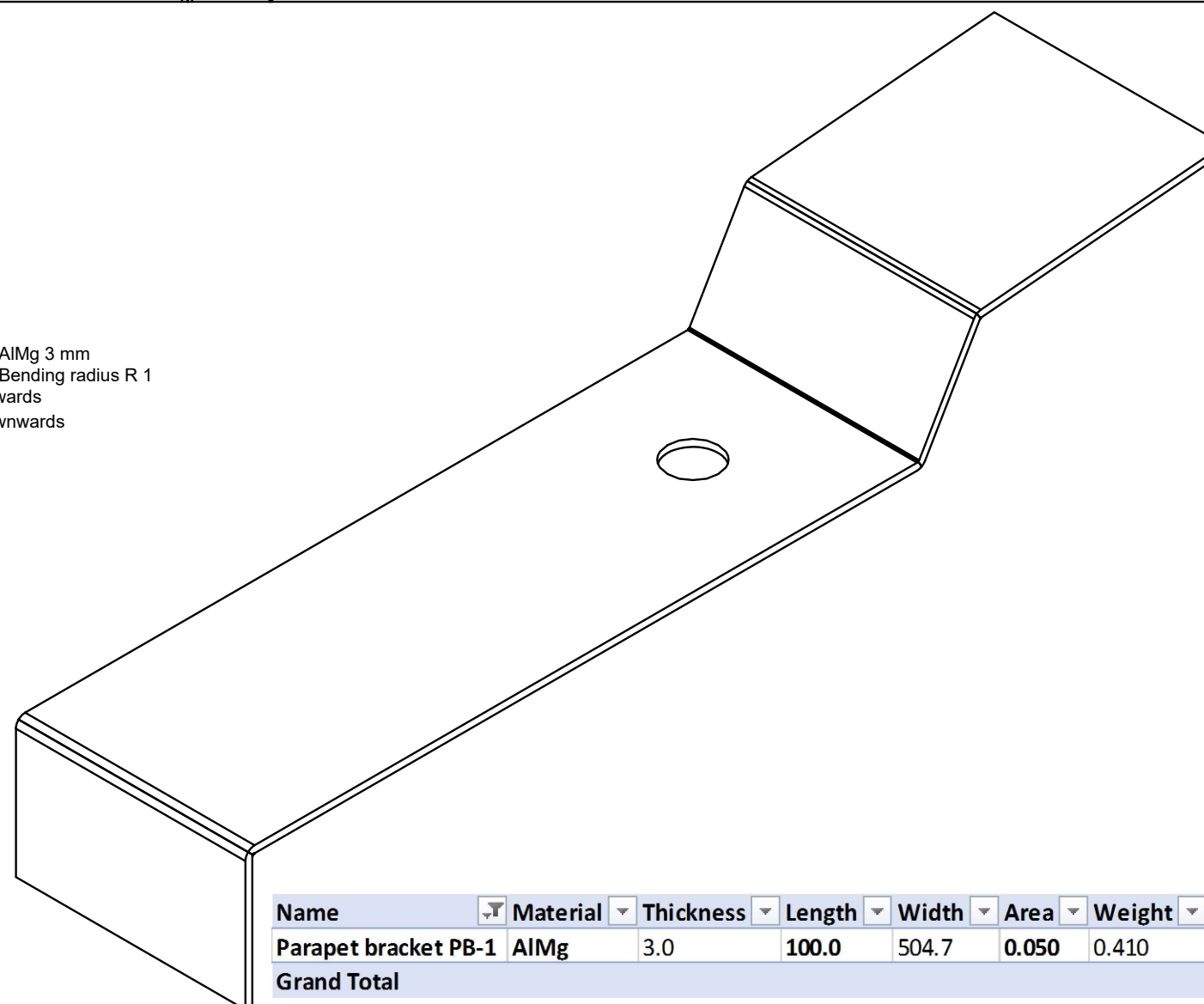
GENERAL SPECIFICATION:



Parapet bracket PB-1
100/504.72 mm
0.41 kg 0.05 m²



Sheet metal Aluminum AIMg 3 mm
Unfold from table "AL", Bending radius R 1
— Fold upwards
— Fold downwards



Name	Material	Thickness	Length	Width	Area	Weight	Sum of Qty
Parapet bracket PB-1	AlMg	3.0	100.0	504.7	0.050	0.410	72
Grand Total							72

A1	issue for approval	20.04.2019
Rev:	Description:	Date:

Project number:
SU-1594

Project:
Project name

Title:
Parapet bracket
PB-1

Dwg Status:
Manufacturing

Dwg No: MN-01-AL-02-027 Rev: A1

Date: 20.04.2019 Scale: 1:2@A3

Drawn: RV Checked by: PS

	Head office:
	Vitebsk, Republic of Belarus www.suvorov.design